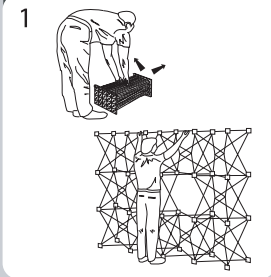


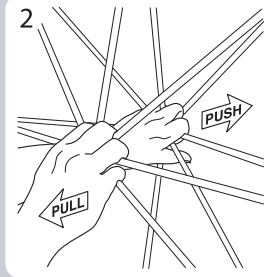
QUICK START INSTRUCTIONS

PREMIUM POPUPS

FRAMES

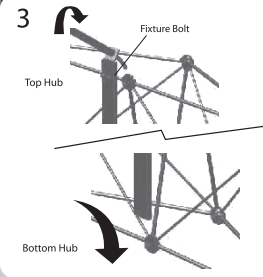


Remove frame from case and place on floor. Place frame with the yellow dots on the bottom facing you. Grasp upper ends of frame and pull up and outwards. Continue pulling up and outward until the frame is fully expanded. Frame should pop into a fully open and upright position. Yellow dots on bottom row of hubs should be on the floor.

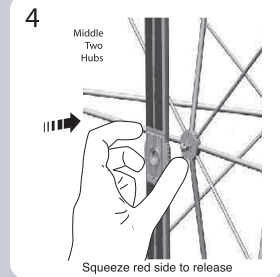


To close the frame: While tilting the frame towards you, push and pull from the middle of the frame while grasping the hubs as shown. Once the frame starts to collapse, move hands away from the hubs to avoid pinching. Do not pull tubing alone.

CHANNEL BARS

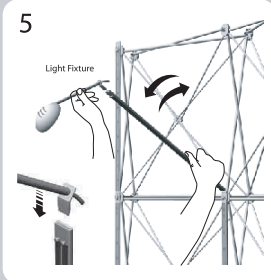


Place the channel bar assembly onto the frame by first attaching it to the top hub. Slide it onto the top hub, then slide the Lower channel bar onto the bottom hub. Slide gently downward to engage.

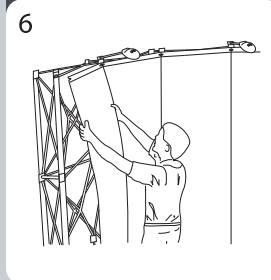


Attach the center sections of the channel bar assembly to the middle two hubs by pushing the channel bar assembly onto the hub. The bushing on the hub should engage through the hole in the connector assembly. Repeat for remaining channel bars at all panel locations.

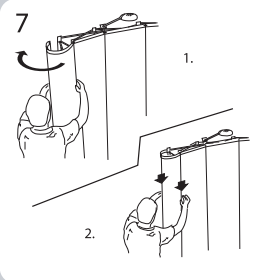
PANELS



To attach light fixtures, first disengage the upper channel bar from the top hub and tilt downward. Push the light fixture down into the top of the channel bar. Tilt channel bar with light fixture back up and re-engage to the top hub. Drape cable over the frame.

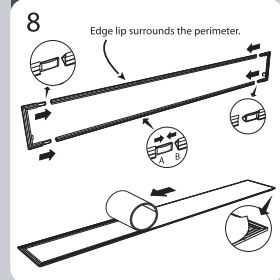


Hold a front panel on its side edges about 1/3 of the way down from the top. Lift section and guide notches over the panel pegs on the top hubs. Slowly release the panel, allowing it to roll down the channel bars. Repeat for all front panels aligning them as you go.

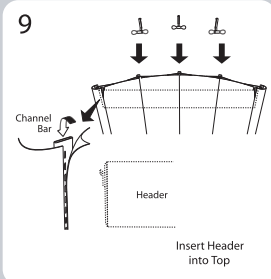


1. Lift end panel and guide front notch of plastic plate over front peg. Hook the other side on the panel peg at the back of the frame.
2. Slowly run your hands down the sides of the panel, attaching magnetic strips to the channel bars and straightening as you go.

BACKLIT HEADER

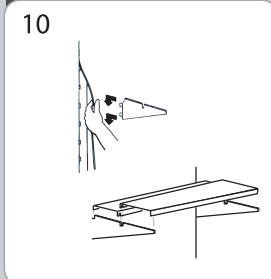


Assemble the upper and lower straight sections by inserting A side (with metal spring) into B side. Insert U-shaped end pieces into the ends of the assembled sections. Matching the end of the graphic to the end of the frame, slowly unroll the graphic while guiding your hand along the edge to keep it even. Press to secure.



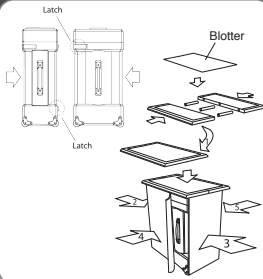
Lift the completed header assembly and hang it by inserting the brackets into the top of the channel bars. Hang lights by inserting the light bracket into the top of the channel bars.

SHELVING



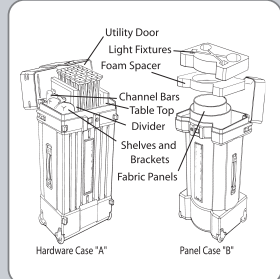
Insert bracket tabs into the slots and push down into place. Place the second bracket level with the first. Attach each shelf with the notches facing the back. Secure each shelf by making sure it is pressed down into the slots in the brackets.

4200 CASE & CONVERSION



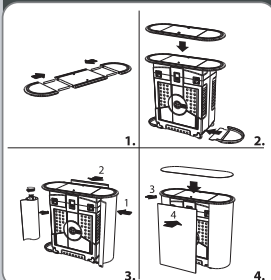
Case Assembly: Place the frame case and the panel case. Align upper two and lower two latches and Latch together.

Case Conversion: Assemble top as shown and place on cases. Attach panels in numbered order shown. Velcro blotter to table top.

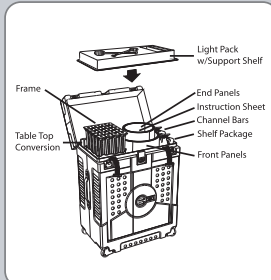


Case packing: Collapse frame, pack in box and insert into Case A. Pack shelves & channel bars in bags and pack in Case A. Roll up panels fabric to fabric and insert into Case B. Cases latch together two places to roll as a complete unit. **Note:** Graphics Roll Individually with image side out against a plastic liner.

4300 CASE & CONVERSION



Case Conversion: Assemble top and secure to case using a coin to tighten the two fasteners. Slip an end tray under both sets of wheels. Store panel liners and bags under table top overhang. Attach panels in numbered order as shown.

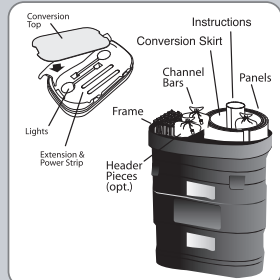


Case Packing: Roll and load skirts followed by panels and ends. Load your frame next followed by the channel bars, shelves, headers and table top conversion. Connect support straps and lay the light pack on top of straps. Close lid and lock. Refer to inside of case lid for additional instructions. **Note:** Graphics Roll Individually with image side out against a plastic liner.

4600 CASE & CONVERSION



Case Conversion: To convert the empty case into a counter, wrap the fabric skirt panel around case as shown and overlap the magnetic strips at the rear wheel side of the case. Place the counter top onto the lid of the case with the laminated side up to complete.



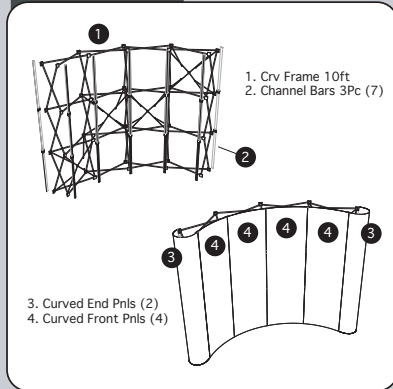
To pack: Roll up panels in pairs, surface to surface, and insert into the round side of the case. Place frame & channel bars into bags, insert into other side of case. **Note:** Graphics Roll Individually with image side out against a plastic liner.

QUICK START INSTRUCTIONS

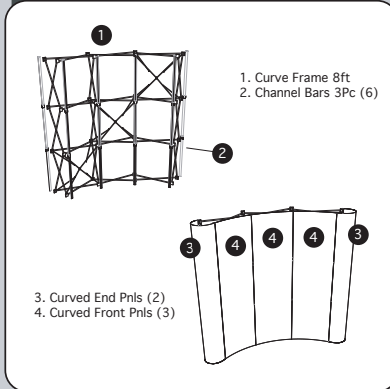
PREMIUM POPUPS

(Continued)

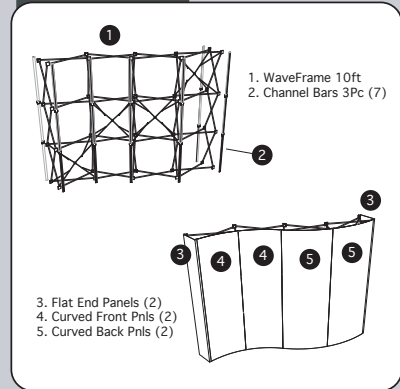
PRC 1, 2, 3 & 4



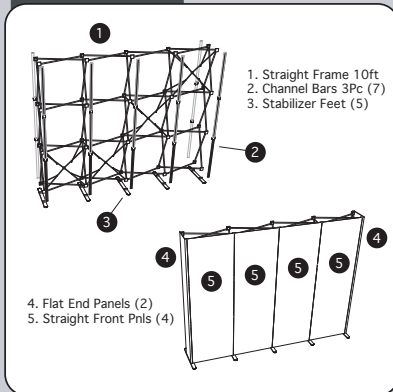
PRC 5 & 6



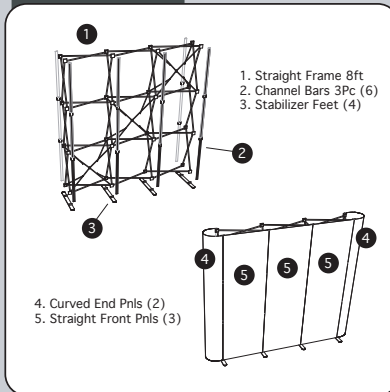
PRC 13, 14 & 15



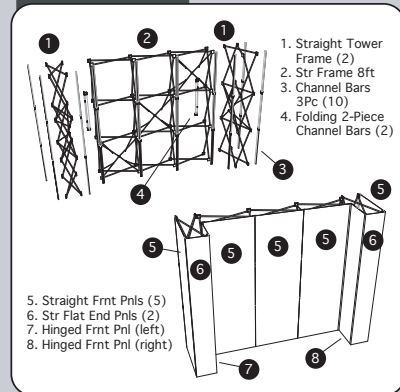
PRS 1, 2, & 3



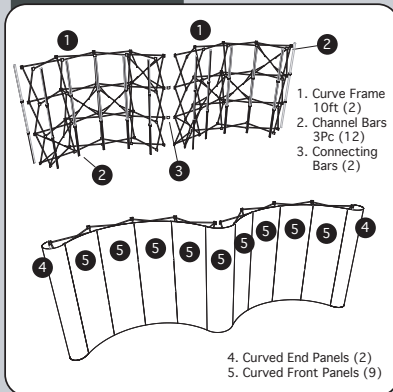
PRS 4, 5, 6 & 7



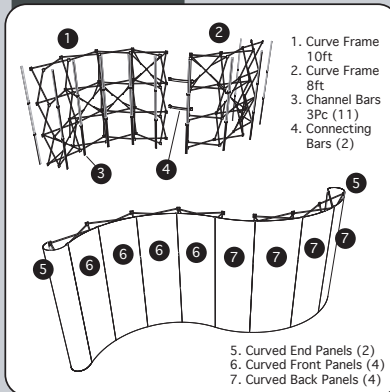
PRS 8, 9 & 10



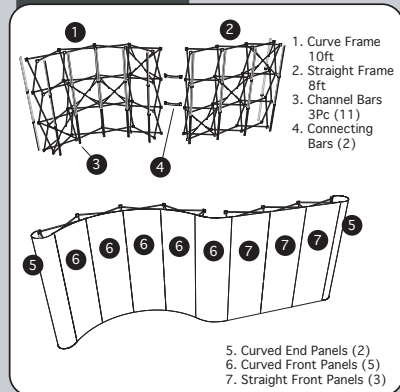
PRC 7, 8 & 9



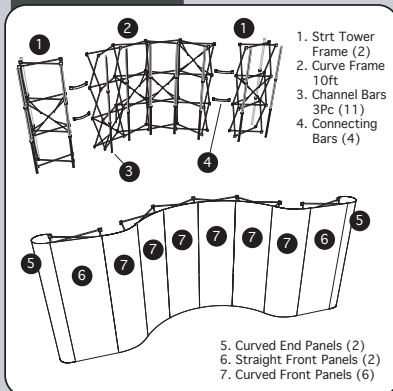
PRC 10, 11 & 12



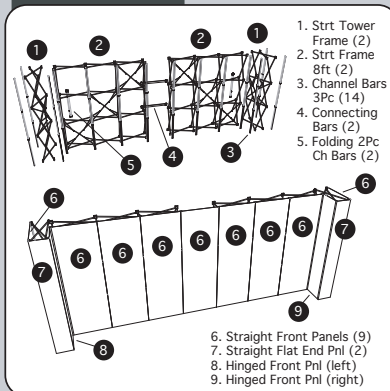
PRC 16, 17 & 18



PRC 19, 20 & 21



PRS 11, 12 & 13



PRS 14, 15 & 16

