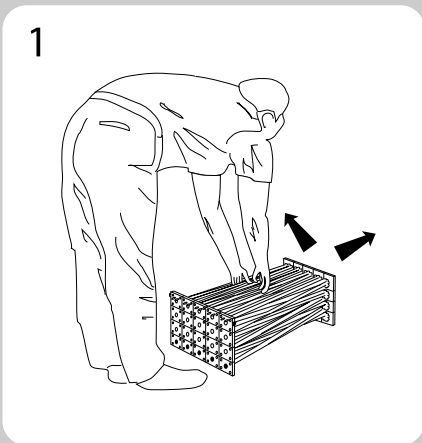
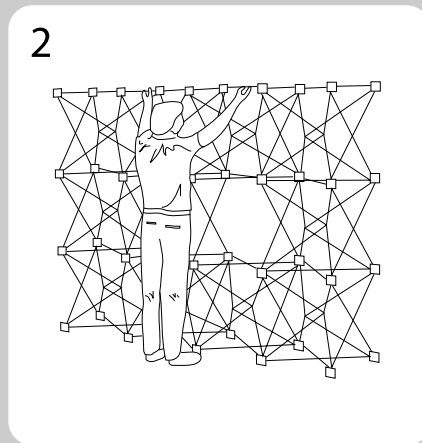


QUICK START INSTRUCTIONS

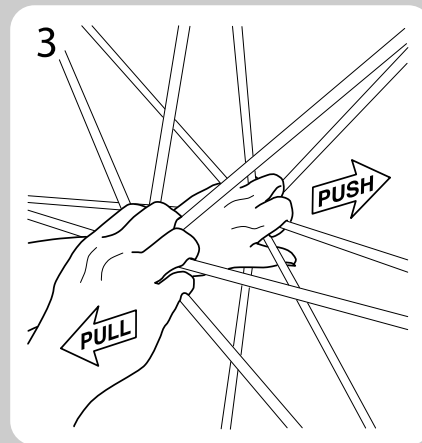
HINGED CHANNEL BAR



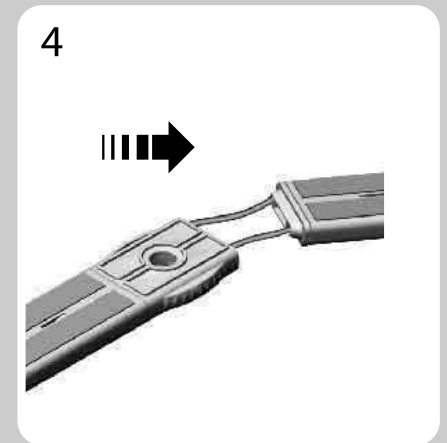
Remove frame from case and place on floor. Place frame with the yellow dots on the bottom facing you. Grasp upper ends of frame and pull up and outwards. Continue pulling up and outward until the frame is fully expanded.



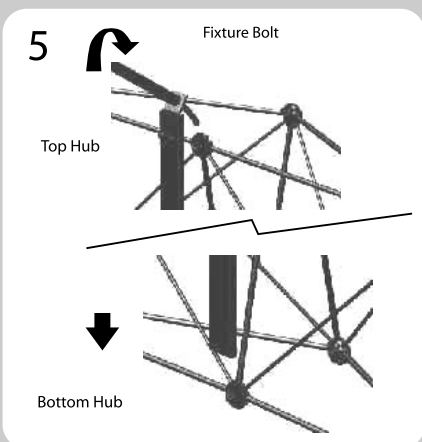
Frame should pop into a fully open and upright position. Yellow dots on bottom row of hubs should be on the floor.



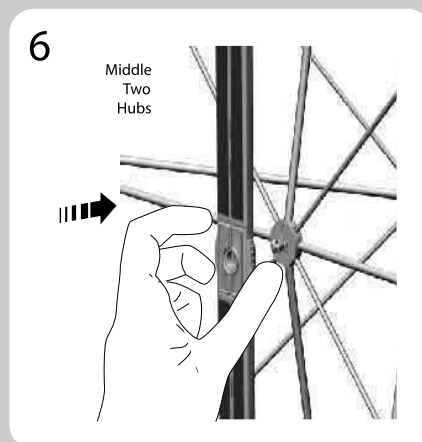
To close the frame: While tilting the frame towards you, push and pull from the middle of the frame while grasping the hubs as shown. Once the frame starts to collapse, move hands away from the hubs to avoid pinching. Do not pull tubing alone.



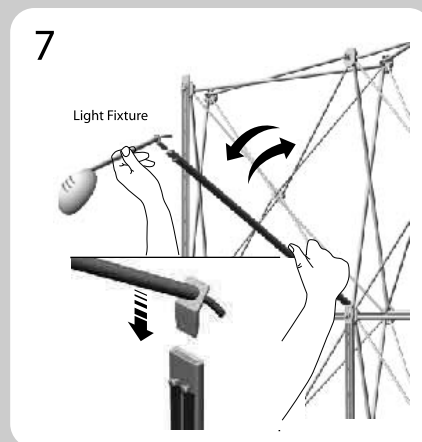
Connect each three-section channel bar assembly by inserting the sections that are pre-attached with bungie cords. By straightening out the channel bar assembly the bungie cords will automatically align the assembly.



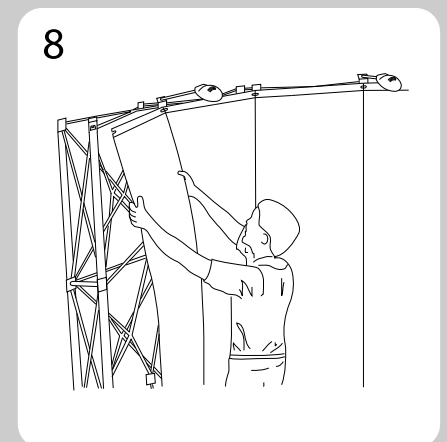
Place the channel bar assembly onto the frame by first attaching it to the top hub. Slide it onto the top hub, then slide the Lower channel bar onto the bottom hub. Slide gently downward to engage.



Attach the center sections of the channel bar assembly to the middle two hubs by pushing the channel bar assembly onto the hub. The bushing on the hub should engage through the hole in the connector assembly. Repeat for remaining channel bars at all panel locations.

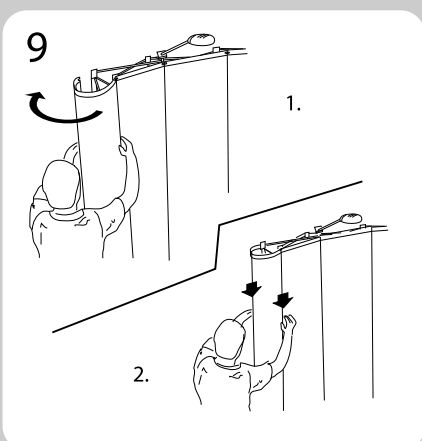


To attach light fixtures, first disengage the upper channel bar from the top hub and tilt downward. Push the light fixture down into the top of the channel bar. Tilt channel bar with light fixture back up and re-engage to the top hub. Drape cable over the frame.

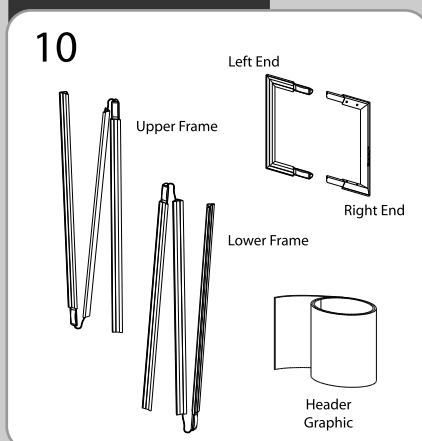


Hold a front panel on its side edges about 1/3 of the way down from the top. Lift section and guide notches over the panel pegs on the top hubs. Slowly release the panel, allowing it to roll down the channel bars. Repeat for all front panels aligning them as you go.

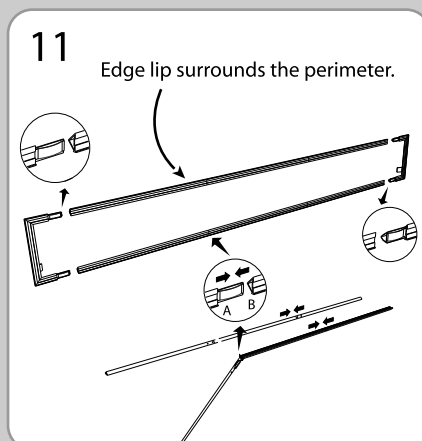
BACKLIT HEADER



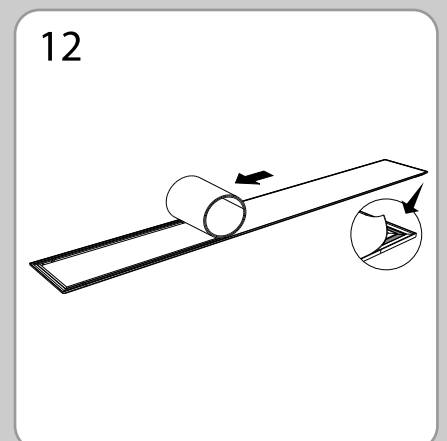
1. Lift end panel and guide front notch of plastic plate over front peg. Hook the other side on the panel peg at the back of the frame.
2. Slowly run your hands down the sides of the panel, attaching magnetic strips to the channel bars and straightening as you go.



To assemble the Backlit Header: Unpack and identify frame parts shown above.

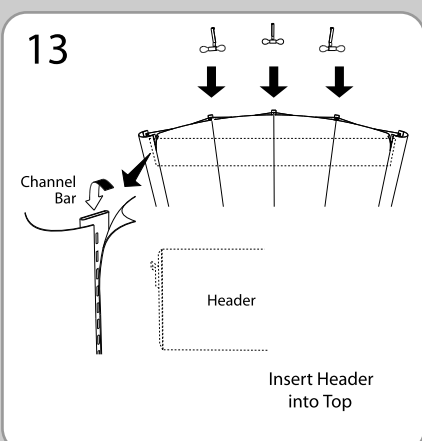


Assemble the upper and lower straight sections by inserting A side (with metal spring) into B side, as shown in detail illustration above. Insert the U-shaped end pieces into the ends of the assembled straight sections.

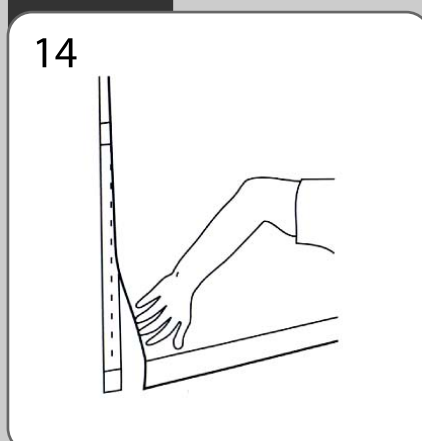


Place the assembled frame on the floor with the velcro side facing up. Roll up the graphic panel, making sure the velcro is on the outside. Matching the end of the graphic to the end of the frame, slowly unroll the graphic while guiding your hand along the edge to keep it even. Press to secure.

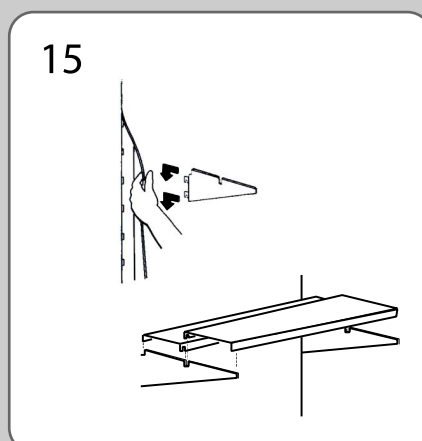
SHELVING



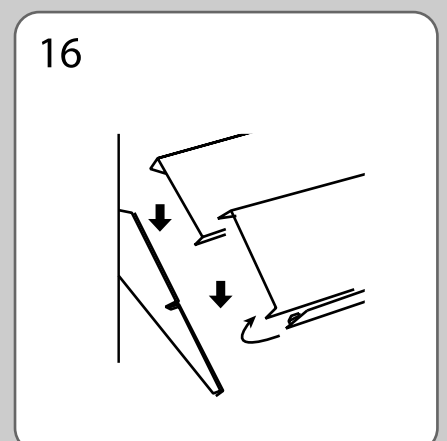
Lift the completed header assembly and hang it by inserting the brackets into the top of the channel bars. Hang lights by inserting the light bracket into the top of the channel bars.



From the bottom, pull the panel away from the frame to expose the slots in the channel bar



Insert bracket tabs into the slots and push down into place. Place the second bracket level with the first. Attach each shelf with the notches facing the back. Secure each shelf by making sure it is pressed down into the slots in the brackets.



Snap the literature strip onto the front edge of the shelf after shelves are installed.

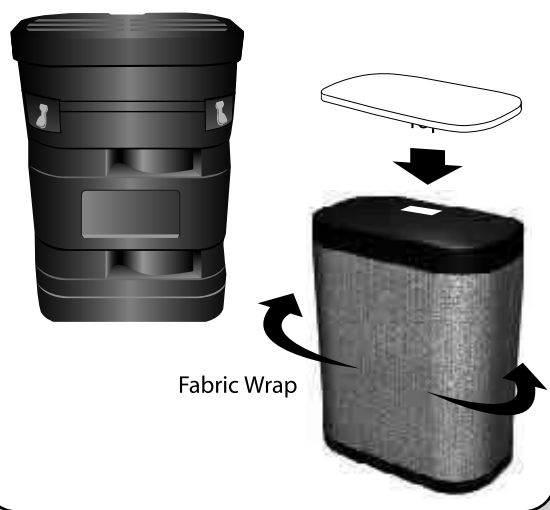
QUICK START INSTRUCTIONS

INDIVIDUAL CHANNEL BAR

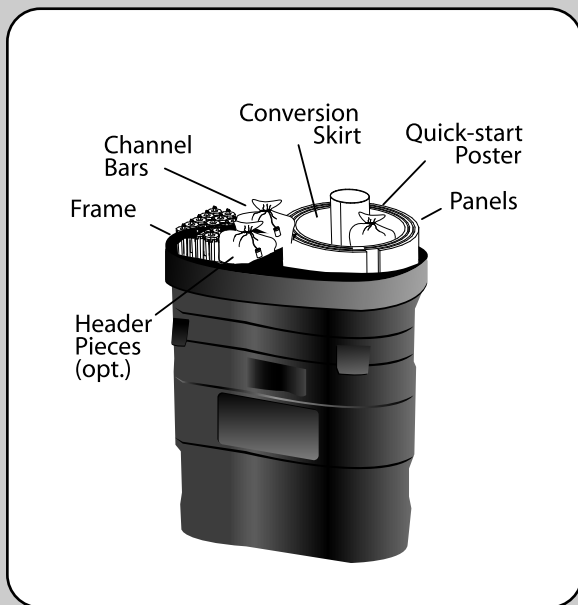
(Continued)

PACKING CASE OPTIONS

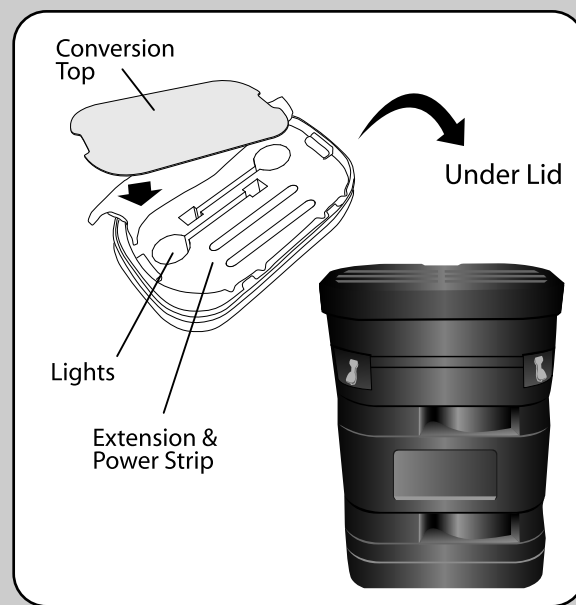
1



Case Conversion: To convert the empty case into a counter, wrap the fabric skirt panel around case as shown and overlap the magnetic strips at the rear wheel side of the case. Place the counter top onto the lid of the case with the laminated side up to complete.



To pack, roll up panels w/fabric (graphic) surface to the inside. Insert into round side of case. Place frame & channel bars into bags, insert into other side of case.
Note: Graphics Roll Individually with image side out against a plastic liner.

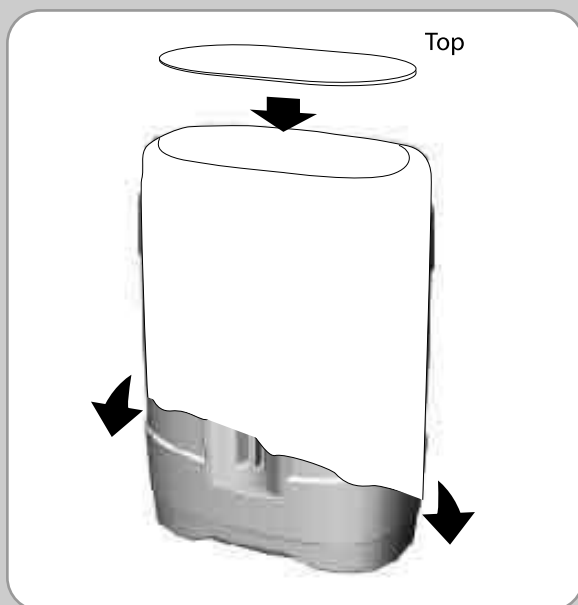


Pull back the foam cover inside the main lid to insert the lights, extension cord and power strip. Replace foam and insert the conversion top, or plastic shipping protector. Attach velcro straps to hold in place. Flip over Lid and close all 4 latches.

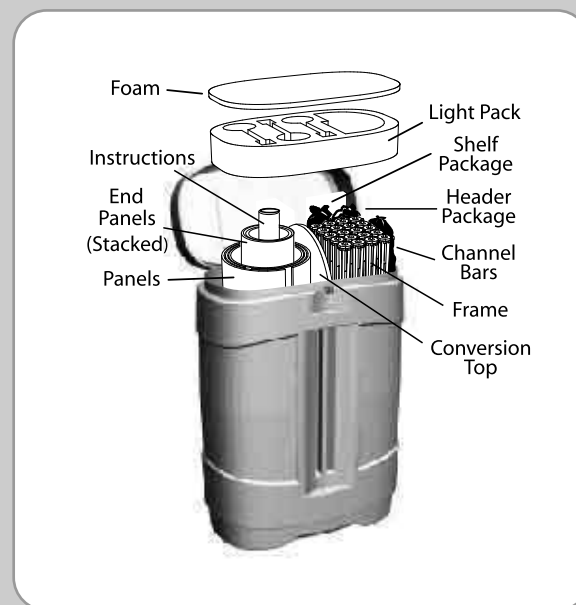
2



Case Conversion: Stretch the Lycra skirt over the empty case as shown with the seam of the skirt at the rear of the case (wheel side).

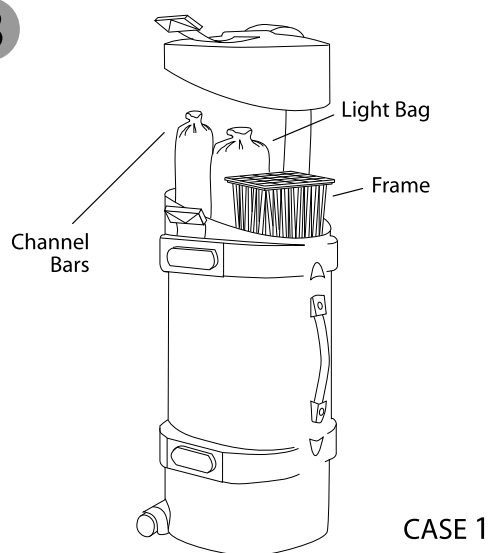


Pull down to conceal the case. Place the counter top onto the top attaching it to the Velcro.

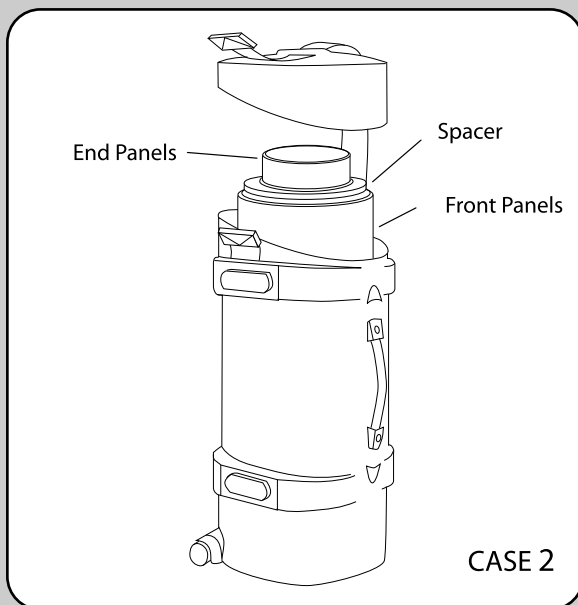


To Pack: Slide conversion top section into center sleeve of case to act as a divider. Roll panels in pairs surface to surface and insert into left side of case. (Graphics require protective liners.) Stack end panels separated by a plastic donut. Insert ends into sleeve. All hardware packs on the right.
Note: Graphics Roll Individually with image side out against a plastic liner.

3

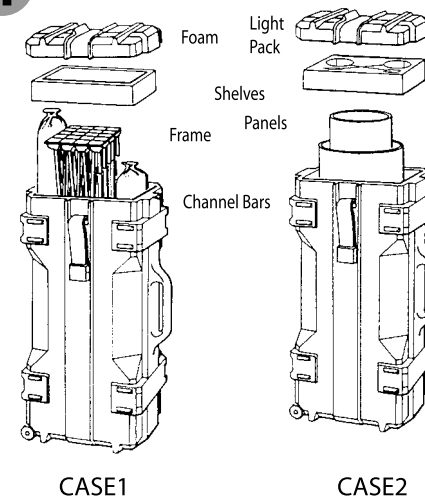


Collapse frame, pack in bag and insert into Case 1. Pack lights in bag and pack in Case 1 next to channel bar bag as shown.



Roll up panels fabric to fabric and insert into Case 2 as shown. Once two cases are loaded they can be strapped together for easy transport.
Note: Graphics Roll Individually with image side out against a plastic liner.

4



Case packing: Collapse frame, pack in box and insert into Case1. Pack lights & channel bars in bags and pack in Case1. Roll up panels fabric to fabric and insert into Case2, Cases can be strapped together to roll as a complete unit.
Note: Graphics Roll Individually with image side out against a plastic liner.